

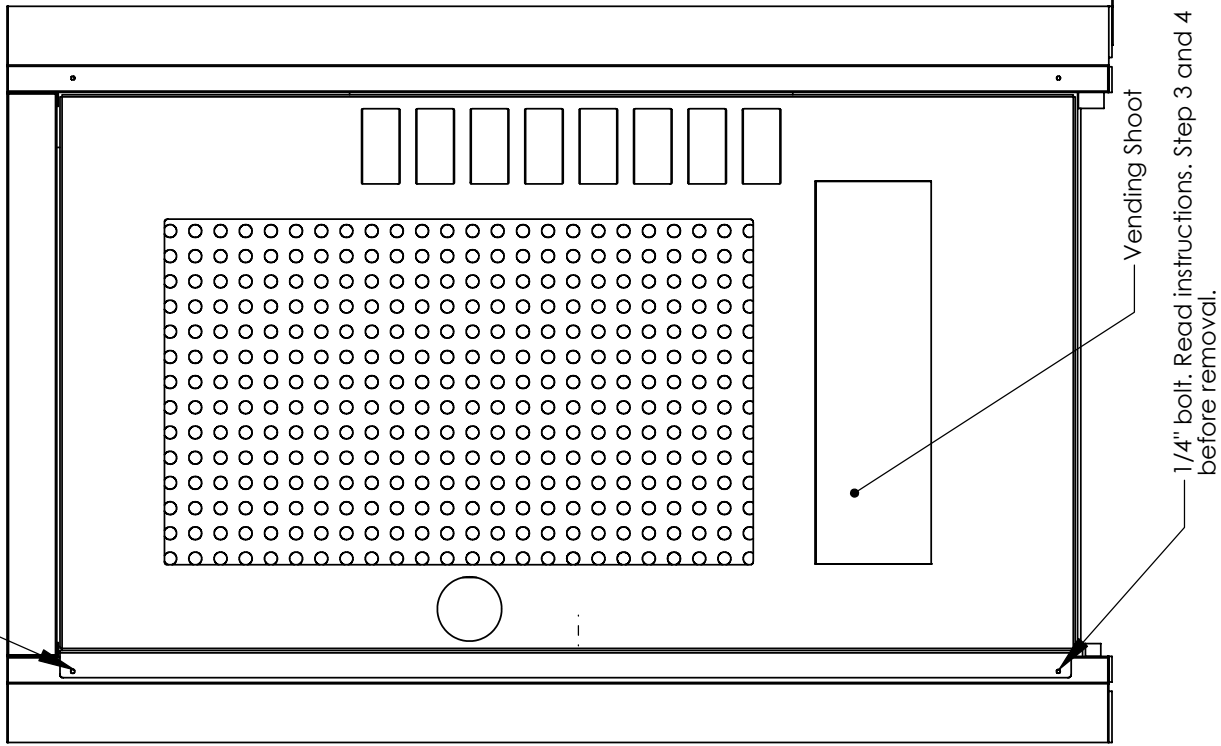


ICON ENCLOSURES
Revolutionizing Vending
www.iconenclosures.com

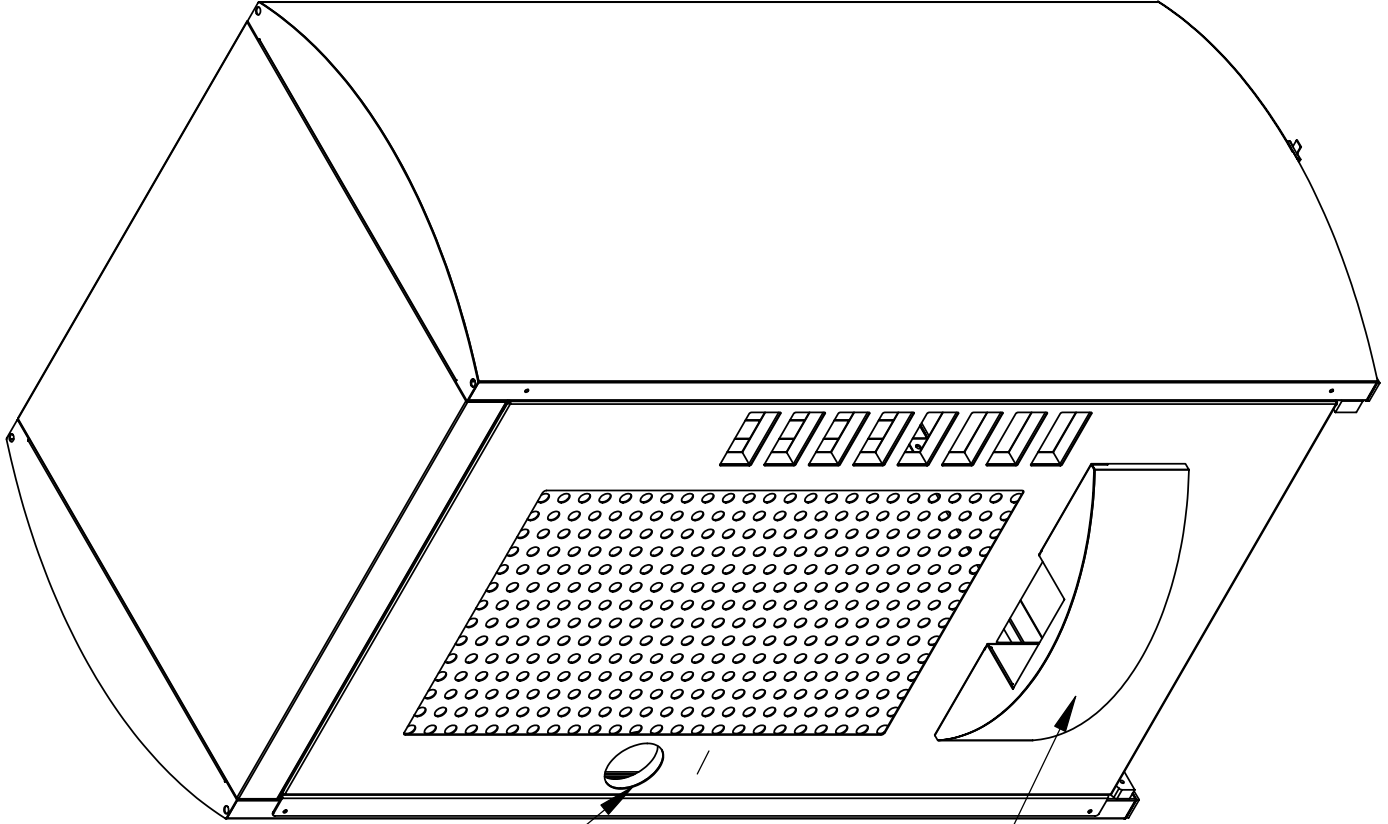
“SENTRY”
Installation Instructions
3/1/02 Rev NC
“Thank you for choosing the Sentry”

1. Remove packaging.
2. Remove the Sentry from the shipping skid. “Use extreme caution, the sentry is very heavy.” The Sentry is bolted to the pallet. Remove all of the bolts before attempting to remove the pallet. Icon recommends un-packaging the Sentry nearest the installation site. This will eliminate un-necessary work.
3. Locating your Sentry. When you have determined the final position of the Sentry you may remove the 1/4” bolts from the door. See illustration “A”.
4. **NOTE:** If your Sentry is not accessible from the rear, i.e. a wall. You must remove both of the 1/4” bolts before the Sentry is against a wall, while the rear of the Sentry is still accessible.
5. Leveling. “Very important”. The Sentry must be level. Install shims “included” under the mounting feet where necessary to level the Sentry. See illustrations “C and D” All six mounting feet must be firmly against the cement pad before Red Heads are installed.
6. Bolt the Sentry to the cement pad. You will need (6) 3/8” x 3” lg. Red Head lags. (6) 3/8-16 nuts. (6) 3/8 flat washers. Securely tighten all bolts. See Red Head manufactures instructions for Red Head installation.
7. Remove shipping strut. See illustration “C”.
8. Attach the Vending Shoot. See illustration “B”. remove the Vending Shoot from the inside of the door. Install the Vending Shoot to the front of the door with No 10 hex bolts, “supplied”.

Icon Enclosures Inc
8021 Wing Ave
El Cajon, Ca 92020
Ph 619-562-1486



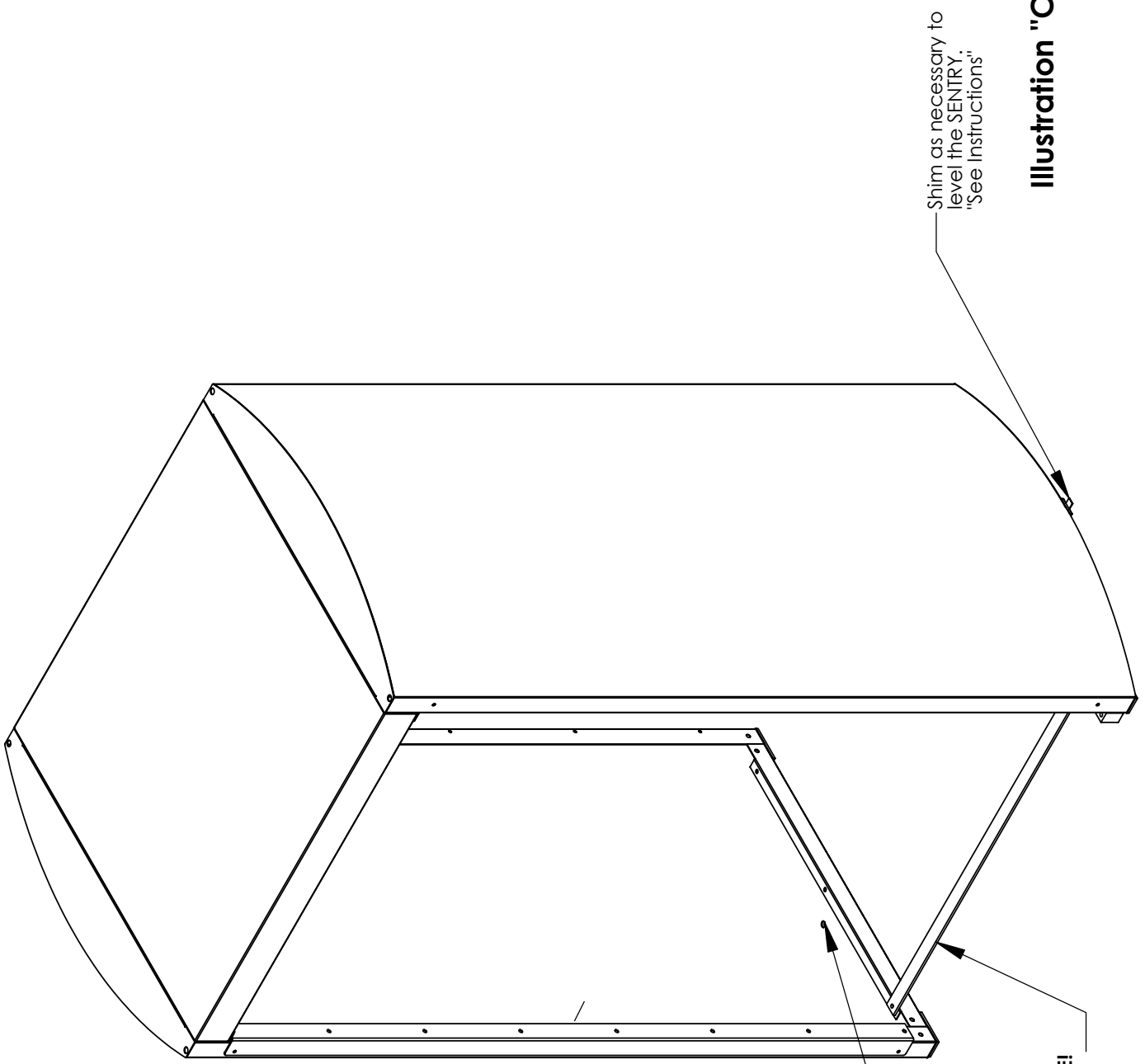
Front View
Illustration "A"



Use an American series 700 pad lock or equivalent.

Attach Vending Shoot to door front with supplied 10-24 x 1/2" lg hex bolts and nuts.

Illustration "B"

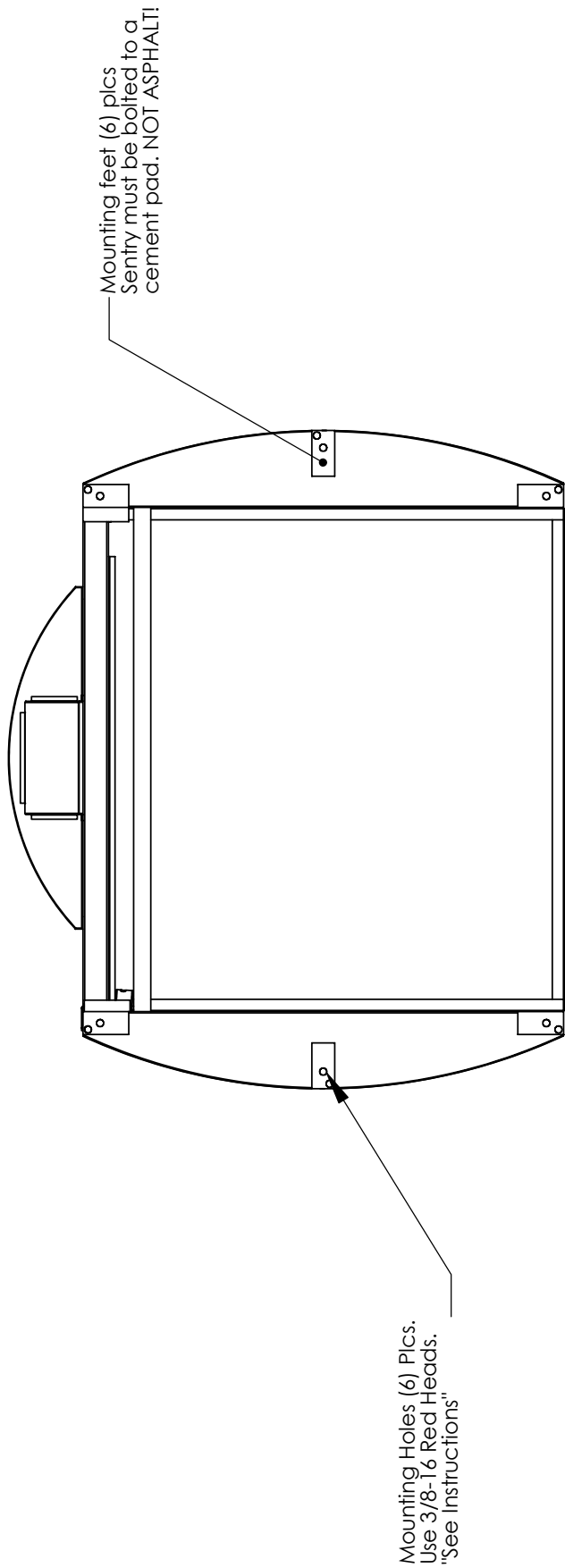


Mounting Holes (6) Plcs.
Use 3/8-16 Red Heads.
"See Instructions"

Shim as necessary to
level the SENTRY.
"See Instructions"

Illustration "C"

Shipping Strut. DO NOT REMOVE!
"SEE INSTRUCTIONS" Step 7



Bottom View

Illustration "D"